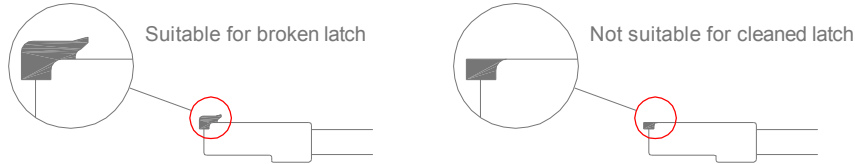


PLUG-SOS



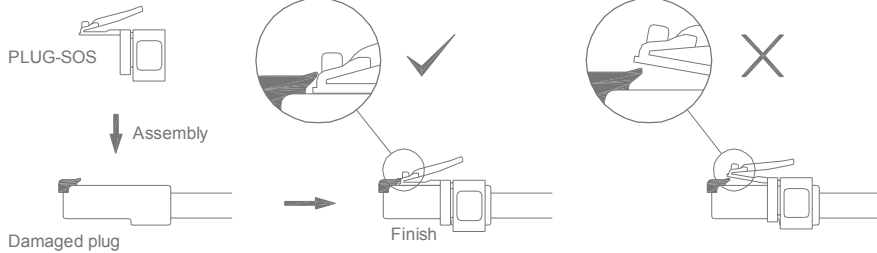
* Quick & Easy to repair a damaged plug

PATENT

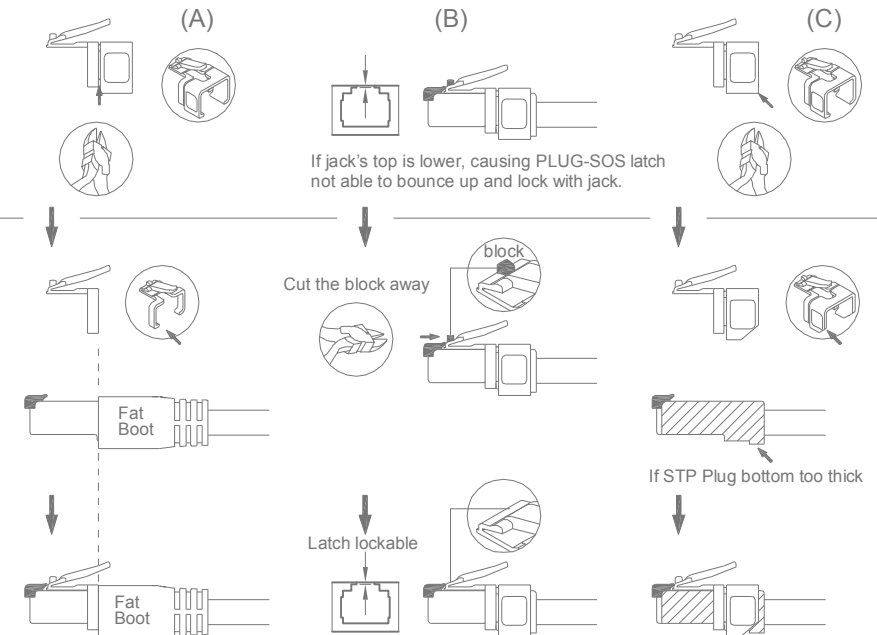


Repair a damaged plug

⚠ Don't let PLUG-SOS over the nose that will cause jam in Jack !!!



Other situations



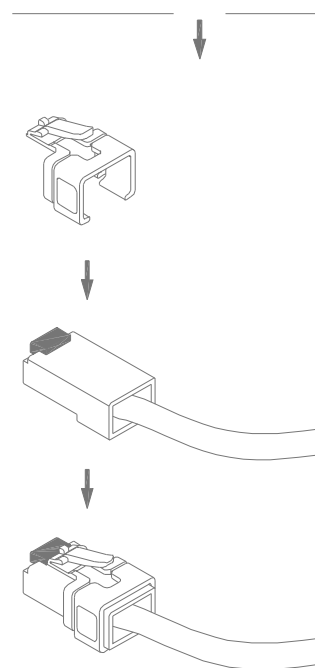
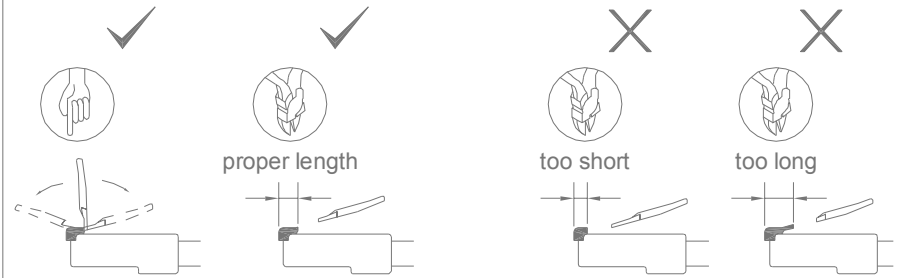
PLUG-SOS



* Quick & Easy for patch cord color management

PATENT

1. Bending the latch by using fingers till it breaks.
Or using cutter to cut the latch with proper remaining length.
If the remaining length is too short or too long, which will cause in bad conjunction.
2. To choose different colors from PLUG-SOS for patch cord color management.



8 colors available :

1. Transparent
2. Transparent red
3. Transparent blue
4. Transparent black
5. Transparent green
6. Transparent purple
7. Transparent yellow
8. Transparent orange

Other colors also available to offer